

This article was downloaded by:

On: 27 January 2011

Access details: *Access Details: Free Access*

Publisher *Taylor & Francis*

Informa Ltd Registered in England and Wales Registered Number: 1072954 Registered office: Mortimer House, 37-41 Mortimer Street, London W1T 3JH, UK



Organic Preparations and Procedures International

Publication details, including instructions for authors and subscription information:

<http://www.informaworld.com/smpp/title~content=t902189982>

Cleaning Solution

John J. Bardeleben^a

^a Phillip Morris Research Center, Richmond, Virginia

To cite this Article Bardeleben, John J.(1969) 'Cleaning Solution', *Organic Preparations and Procedures International*, 1: 4, 329 – 330

To link to this Article: DOI: 10.1080/00304946909458406

URL: <http://dx.doi.org/10.1080/00304946909458406>

PLEASE SCROLL DOWN FOR ARTICLE

Full terms and conditions of use: <http://www.informaworld.com/terms-and-conditions-of-access.pdf>

This article may be used for research, teaching and private study purposes. Any substantial or systematic reproduction, re-distribution, re-selling, loan or sub-licensing, systematic supply or distribution in any form to anyone is expressly forbidden.

The publisher does not give any warranty express or implied or make any representation that the contents will be complete or accurate or up to date. The accuracy of any instructions, formulae and drug doses should be independently verified with primary sources. The publisher shall not be liable for any loss, actions, claims, proceedings, demand or costs or damages whatsoever or howsoever caused arising directly or indirectly in connection with or arising out of the use of this material.

Adaptor for Rotary Evaporator

Submitted by Anthony L. DiSalvo

Department of Chemistry
Boston College
Newton, Massachusetts

An adaptor for continuous concentration of solutions containing semi-micro amounts of solute using the Büchi Rotavapor is described (see drawing on next page). The device permits introduction of small volumes of solution and of wash solvent without interruption of vacuum.

Cleaning Solution

Submitted by John J. Bardeleben

Phillip Morris Research Center
P.O. Box 3D
Richmond, Virginia 23206

A solution of approximately 10 g. of potassium hydroxide in 1.5 l. of isopropanol is prepared by the gradual addition, with stirring, of solid KOH at such a rate as to avoid too vigorous a reaction. With use, the solution is reported to be effective for months with occasional addition of alkali pellets, after decantation of the solution from a bottom caustic layer. Polyethylene containers are recommended for use over long periods of time.

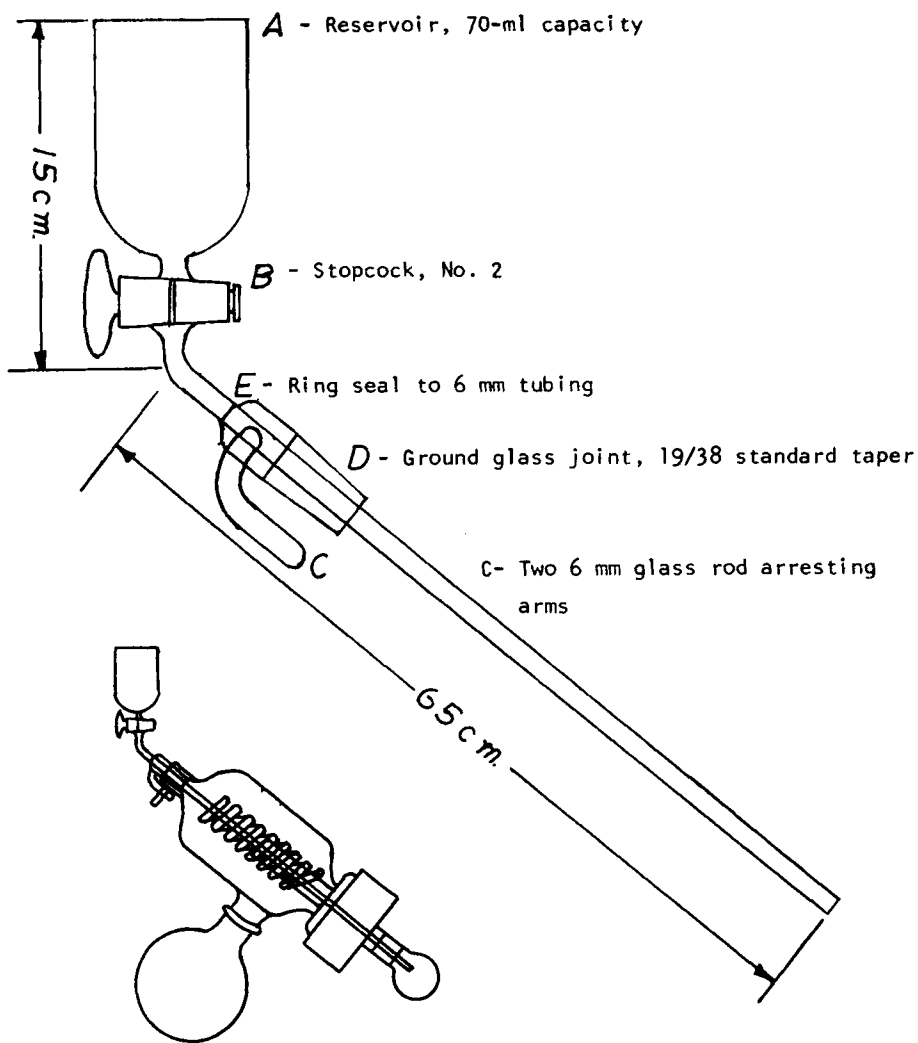


FIGURE 1